

DESCRIPTION

Unipower Telecom's DPB2U-AB Series circuit breaker panels provide distribution and overload protection for up to 18 DC circuits. The panels are two rack units (3.50 inches) high. They distribute up to 300 amperes of load current for each A or B bus, with each bus having up to 9 circuit breakers. Each bus can be independently configured. The buses can be configured for 12, 24 or 48 volts, positive or negative grounds.

Magnetic circuit breaker capacities are from 1 to 100 amperes. The breakers can be removed and replaced from the front of the unit by disconnecting on the back and removing the front panel cover. Optional breaker alarms have dual-color LEDs (green/red) and Form C relay contacts.

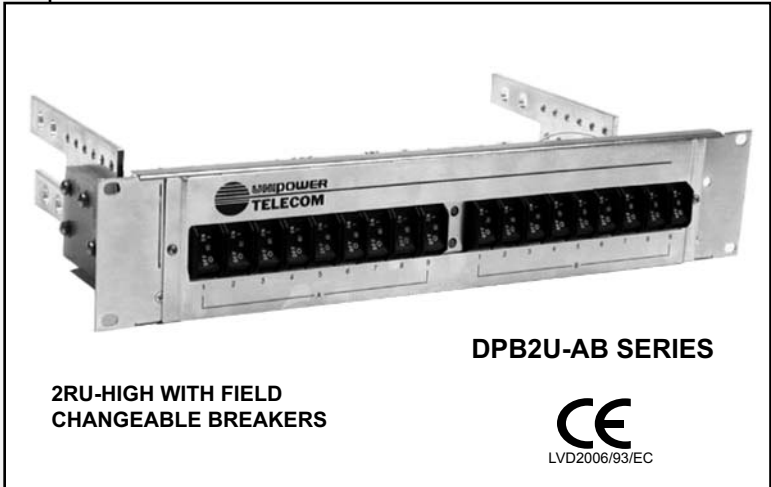
The input bus terminations are to copper bus bars. The standard model does not have return bus bars but option R does.

The panels can be ordered for mounting in either a 19- or 23-inch relay rack. They are flush mounted to the rack.

SAFETY STANDARDS

UL60950-1
CSA 22.2, No. 60950-1
EN60950-1

TWO-YEAR WARRANTY



2RU DUAL DISTRIBUTION PANELS

MODEL	BUS	BREAKERS/BUS	MOUNTING
DPB2U-AB-19	DUAL 300A	1 - 9	19 Inch
DPB2U-AB-23	DUAL 300A	1 - 9	23 Inch

OPTIONS

CODE	DESCRIPTION
D *	Alarm Circuit LEDs + Form C Relay (A & B)
R	Return Bus Bars

FEATURES

- ◆ Two Rack Units High: 3.50"
- ◆ Field Changeable Breakers
- ◆ Field Replaceable Alarm Board
- ◆ 19- or 23-Inch Rack Mounting
- ◆ Magnetic Circuit Breakers
- ◆ Dual, Independent A/B Buses
- ◆ Optional A/B Return Bus Bars
- ◆ Fully Independent A/B Alarms
- ◆ 1 to 9 Breakers per Bus
- ◆ 1A to 100A per Breaker
- ◆ 300A per Bus, 600A Total
- ◆ Voltage: 12, 24 or 48VDC
- ◆ Positive or Negative Ground
- ◆ LED and Form C Relay Alarm Option
- ◆ -20° to +70°C Operating Temperature

* NOTE: Voltage and polarity designation is ONLY required in the model number if an alarm board, -D, is fitted. Panel will only be limited by current.

SPECIFICATIONS, DPB2U-AB SERIES

INPUT / OUTPUT

Panel Capacity 300A Per Bus, 600A Total
 Configuration ¹ Dual A/B Bus, 1 to 9 Breakers Each
 Breaker Capacity ² 1A to 100A
 Voltage, ³ 48V Version 40-60VDC
 24V Version 20-30VDC
 12V Version 10.5-15VDC
 Polarity ³ Positive or Negative Ground

CIRCUIT BREAKER A & B ALARM OPTION

LED Alarm Indicators Dual-Color LEDs
 LED Status Indication Green = Normal
 Red = Alarm
 Off = No Input Power
 Alarm Connections A/B Form C Relay Contacts

SAFETY STANDARDS UL60950, CSA22.2 No.60950, EN60950

ENVIRONMENTAL

Operating Temp. Range -20°C to +70°C
 Storage Temp. Range -40°C to + 85°C
 Humidity 0% to 95%, Non-Condensing

PHYSICAL SPECIFICATIONS

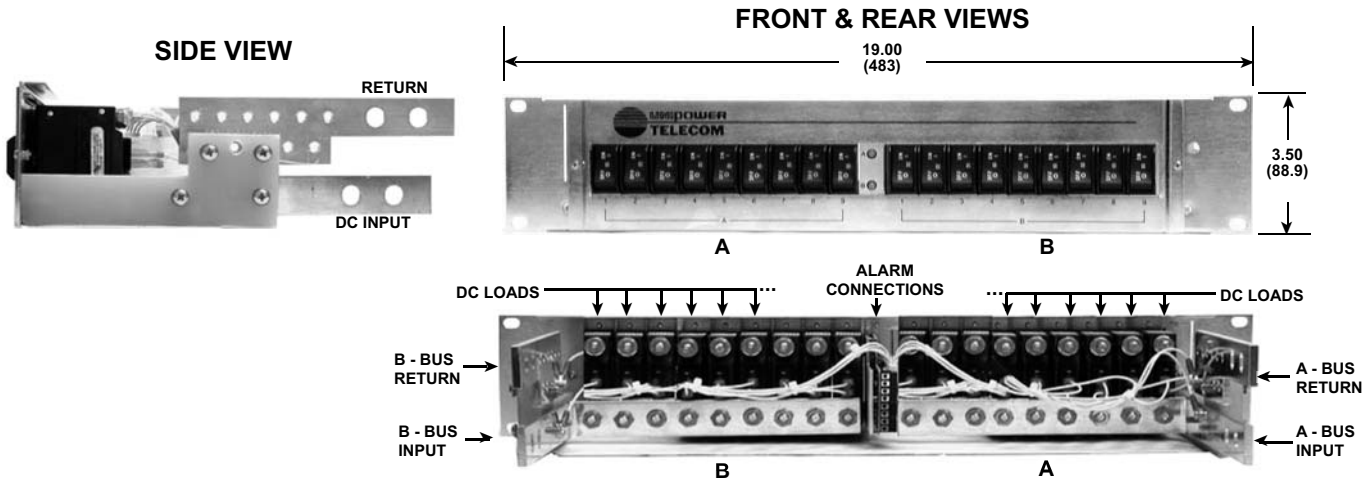
Case Material Steel
 Dimensions, Inches (mm), DPB2U-AB-19 3.50 H x 19.00 W x 10.19 D
 (88.9 x 483 x 259)
 DPB2U-AB-23 3.50 H x 23.00 W x 10.19 D
 (88.9 x 584 x 259)
 Weight 9.55 lbs. (4.33kg.)
 Rack Mounting Width 19 or 23 Inches

CONNECTIONS

Input Connections Bus Bars with Holes for 3/8" Bolts
 Output Connections 1/4-20 Studs on Ckt. Bkrs.
 Fail Alarm Connections Screw Terminals

NOTES:

1. Circuit breakers are installed in positions 1 to 9 in descending order of current capacity. Unused positions have a blank panel installed. Breakers above 50A will have blank panel space between them.
2. See table for breaker capacities.
3. See Ordering Guide to specify voltage and polarity.

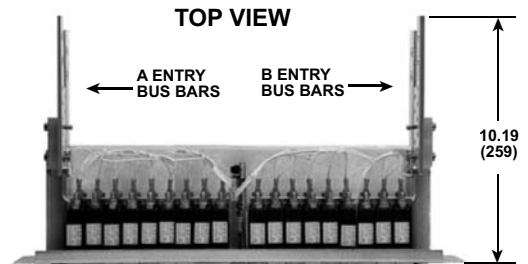


ORDERING GUIDE

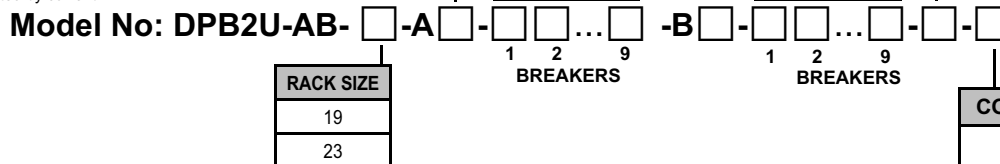
STANDARD BREAKERS²

CODE	VOLTAGE & POLARITY
1	-48V (Pos. Gnd.)
2	+48V (Neg. Gnd.)
3	-24V (Pos. Gnd.)
4	+24V (Neg. Gnd.)
5	-12V (Pos. Gnd.)
6	+12V (Neg. Gnd.)

CODE	AMPS	CODE	AMPS
R	100	K	20
Q	70	J	15
P	60	I	10
O	50	H	5
N	40	G	2.5
M	30	F	1
L	25		



NOTE: Voltage and polarity designation is ONLY required in the model number if an alarm board, -D, is fitted. Panel will only be limited by current.



CODE	DESCRIPTION
R	Return Bus Bars

CODE	DESCRIPTION
D	Alarm Circuit LEDs + Form C Relay (A & B)

ALL DIMENSIONS IN INCHES (mm).
 All specifications subject to change without notice.

dpb2u-AB-0810.pdf